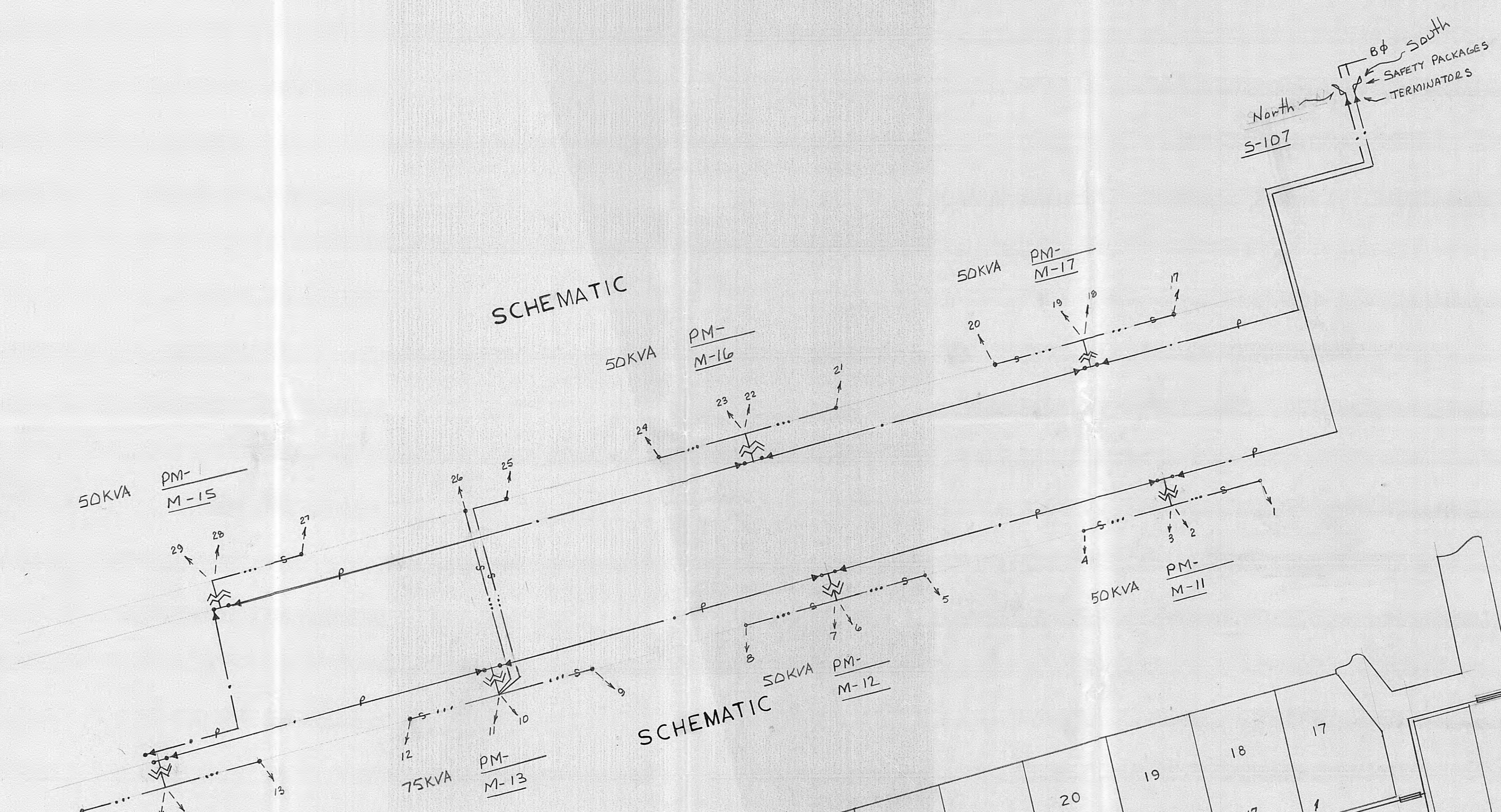
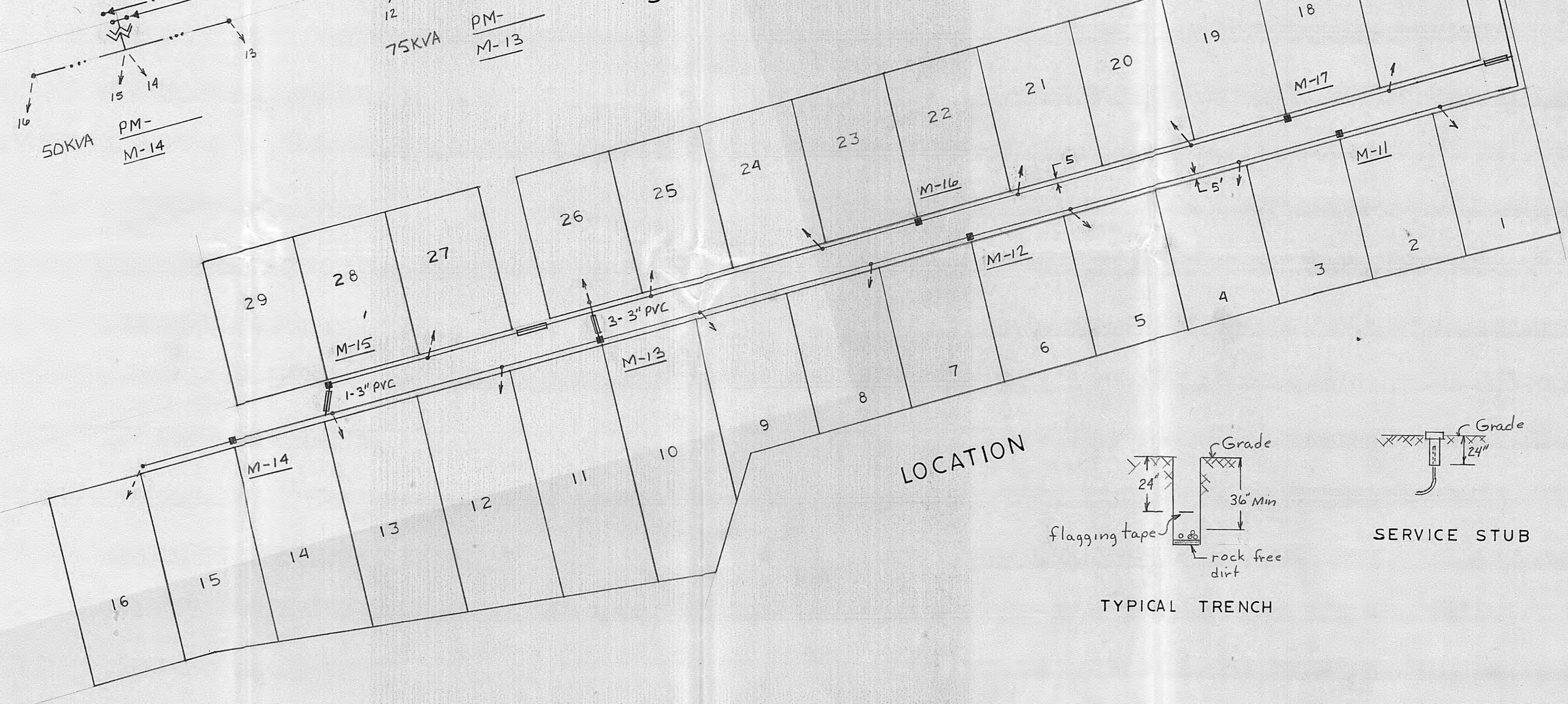


SCHMATIC



SCHMATIC



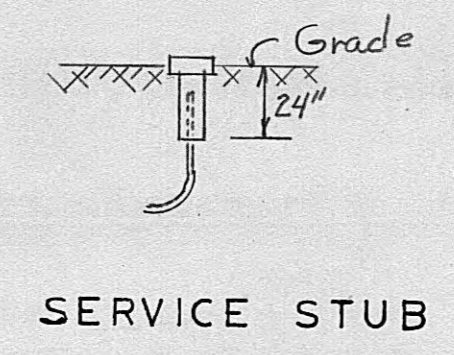
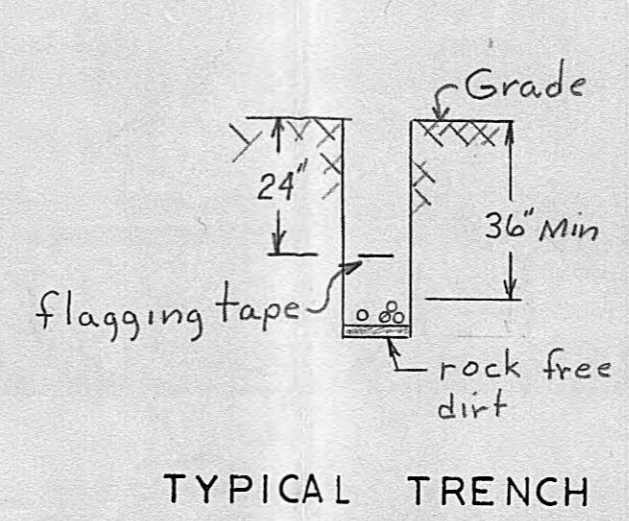
LEGEND

- PRIMARY CABLE
- SECONDARY CABLE
- PRIMARY TERMINATOR
- SERVICE CABLE
- TRANSFORMER PAD

NOTES

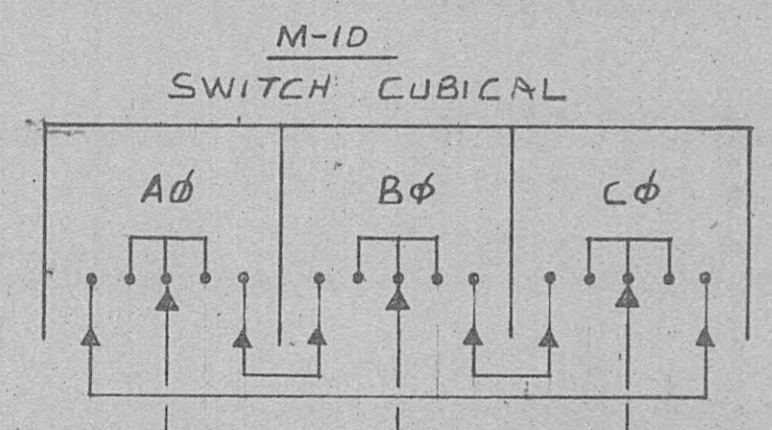
- ALL PRIMARY #2-15KV-3/4-XLPECN-DB
- ALL SECONDARY 1/2-1/2-3/4-600V-DB
- INSTALL 1 GROUND ROD AT EACH PAD
- COMPACT AND LEVEL SOIL BEFORE INSTALLING PADS

LOCATION



HARRIMAN UTILITY BOARD HARRIMAN, TENNESSEE		
SCALE: 1" = 100'	APPROVED BY	DRAWN BY <i>R. HALL</i>
DATE: 6-27-74	WALDEN'S CROWN ESTATES-SOUTH URD	
WO-396	DRAWING NUMBER P 4	





SCHEMATIC



LOCATION

HARRIMAN UTILITY BOARD  
HARRIMAN, TENNESSEE  
SCALE 1" = 100' APPROVED BY \_\_\_\_\_ DRAWN BY R.Hall  
DATE 9-27-73  
WALDEN'S CROWN ESTATES  
LOCATION AND SCHEMATIC  
DRAWING NUMBER  
**28-D**

DIETZEN MASTER FORM 188MP PRINTED ON DIETZEN 188M AGEPROOF VELLUM